

# CM Series Single Pole Power Rocker Switches

## Features/Benefits

- Illuminated versions available
- Easy to install snap-in design
- Multiple actuator and termination styles to choose from

## Typical Applications

- Computers and peripherals
- Power supplies
- Industrial equipment
- Small appliances
- RoHS compliant



## Specifications

### CONTACT RATING:

UL/CSA: 16 AMPS @ 125 VAC, 1/8 HP;

10 AMPS @ 250 VAC, 1/3 HP.

ELECTRICAL LIFE: 10,000 make and break cycles at full load.

INSULATION RESISTANCE:  $10^8 \Omega$  min.

DIELECTRIC STRENGTH: 1,500 VRMS @ sea level.

OPERATING TEMPERATURE: -20°C to +80°C

## Materials

HOUSING AND ACTUATOR: 6/6 nylon (UL94V-2), black, gloss or matte finish.

ILLUMINATED ACTUATOR: Polycarbonate, gloss or matte finish.

CENTER CONTACTS: Silver plated, copper alloy.

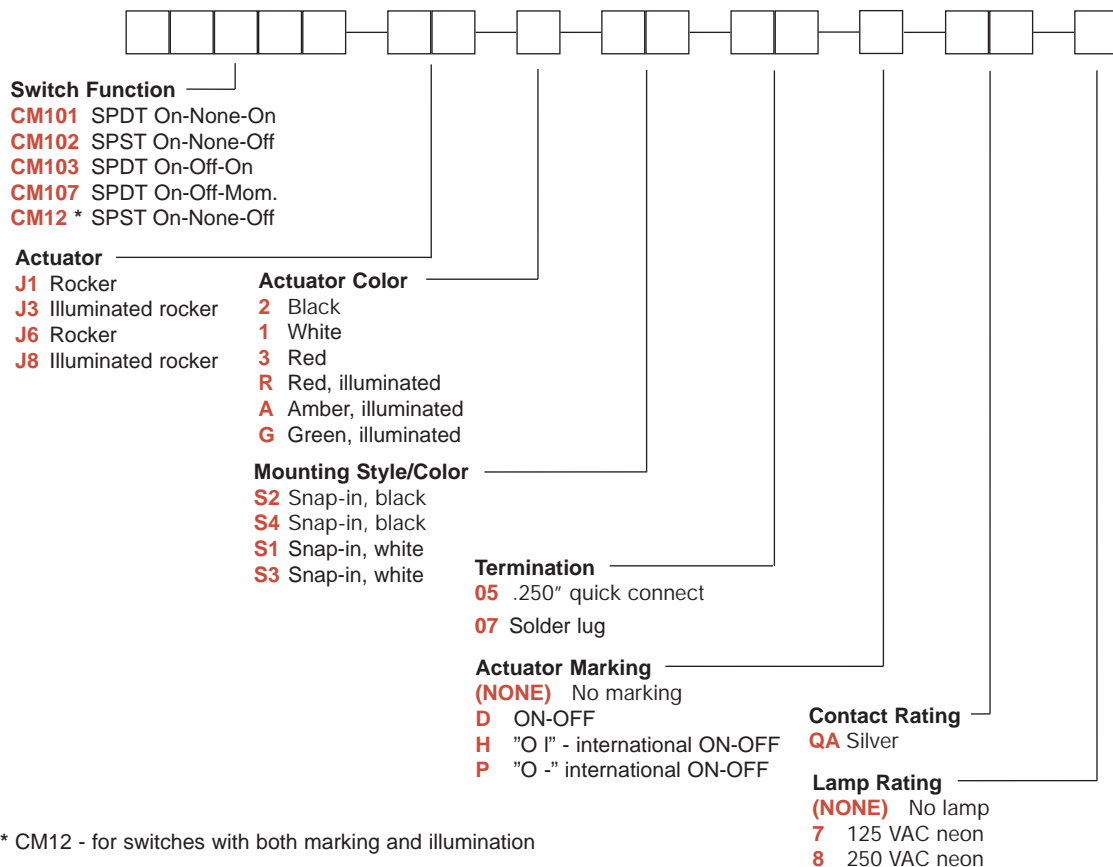
END CONTACTS: Silver plated.

ALL TERMINALS: Silver plated, copper alloy.

**NOTE:** Specifications and materials listed above are for switches with standard options. For information on specific and custom switches, consult Customer Service Center.

## Build-A-Switch

To order, simply select desired option from each category and place in the appropriate box. Available options are shown and described on pages H-95 through H-97. For additional options not shown in catalog, consult Customer Service Center.



\* CM12 - for switches with both marking and illumination

Rocker



H



Dimensions are shown: Inch (mm)  
Specifications and dimensions subject to change

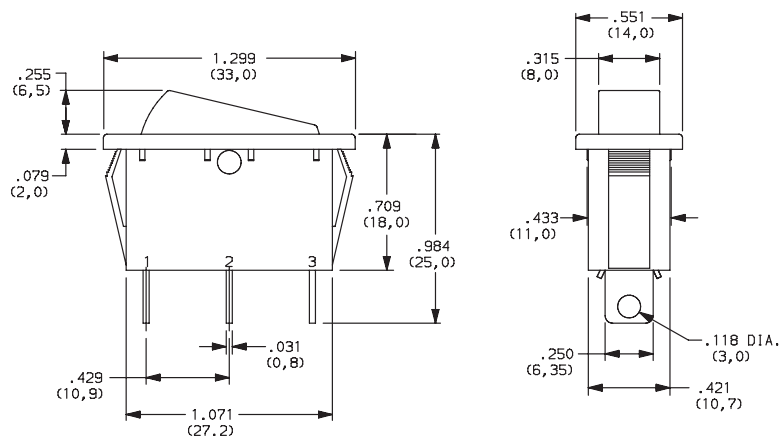
# CM Series Single Pole Power Rocker Switches

## SWITCH FUNCTION

NO. POLES	MODEL NO.	SWITCH FUNCTION			CONNECTED TERMINALS			SCHEMATIC	
		Pos. 1	Pos. 2	Pos. 3	Pos. 1	Pos. 2	Pos. 3		
		C&K marking on opposite side			C&K marking on opposite side				
SP	<b>CM101</b>	ON	NONE	ON	2-1	N/A	2-1		
	<b>CM102</b>	ON	NONE	OFF			OPEN		
	<b>CM103</b>	ON	OFF	ON			OPEN	2-3	
	<b>CM107</b>	ON	OFF	MOM.					
	<b>CM12 *</b>	ON	NONE	OFF				N/A	OPEN

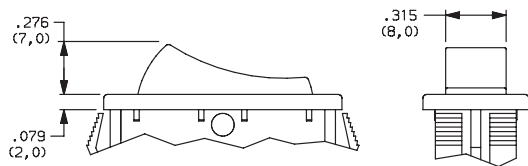
\* CM12 - for switches with both marking and illumination

Shown in Pos. 1



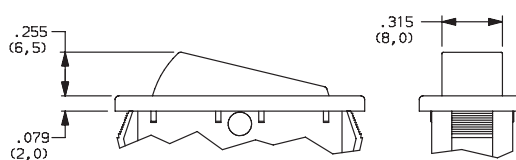
## ACTUATOR

- J1** ROCKER
- J3** ILLUMINATED ROCKER

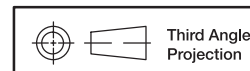


NOTE: J3 actuator available with CM102 & CM12 switch function only.

- J6** ROCKER
- J8** ILLUMINATED ROCKER



NOTE: J8 actuator available with CM102 & CM12 switch function only.



Third Angle Projection

Dimensions are shown: Inch (mm)  
Specifications and dimensions subject to change



Rocker



H

# CM Series Single Pole Power Rocker Switches

## ACTUATOR COLOR

OPTION CODE	ACTUATOR COLOR
<b>2</b>	BLACK
<b>1</b>	WHITE
<b>3</b>	RED
<b>R</b>	RED, ILLUMINATED
<b>A</b>	AMBER, ILLUMINATED
<b>G</b>	GREEN, ILLUMINATED

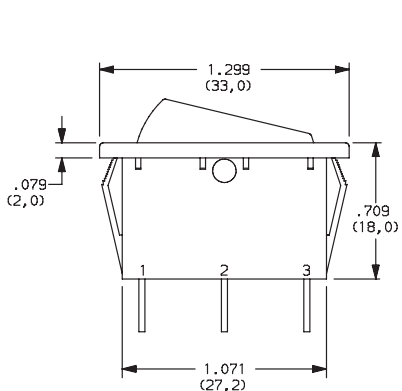
## MOUNTING STYLE/COLOR

**S2** SNAP-IN, BLACK

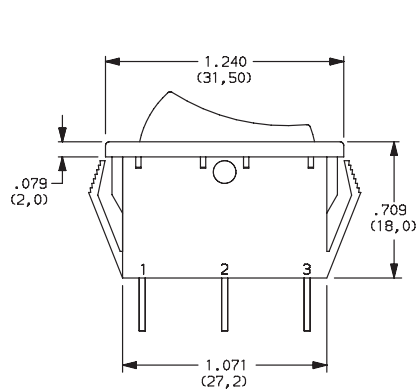
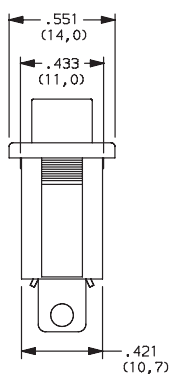
**S1** SNAP-IN, WHITE

**S4** SNAP-IN, BLACK (SHORT FRAME)

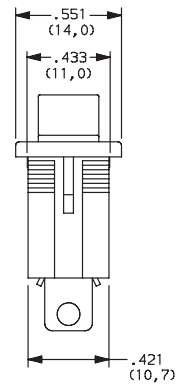
**S3** SNAP-IN, WHITE



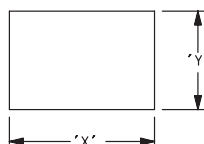
Shown in Pos. 1



Shown in Pos. 1



### PANEL MOUNTING

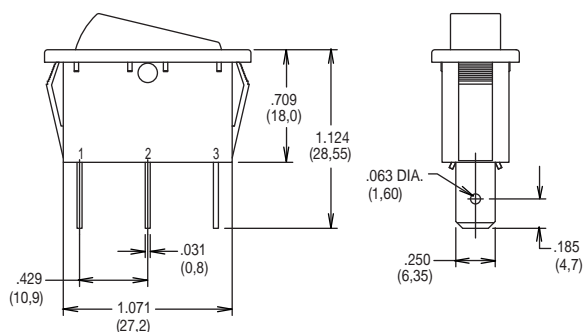


PANEL THICKNESS	"X"	"Y"
0.030-0.049 (0,75-1,25)	1.189-.004 (30,2-0,1)	0.441+.004 (11,2+0,1)
0.049-0.079 (1,25-2,0)	1.197-.004 (30,4-0,1)	0.441+.004 (11,2+0,1)
0.079-0.118 (2,0-3,0)	1.212-.004 (30,8-0,1)	0.441+.004 (11,2+0,1)

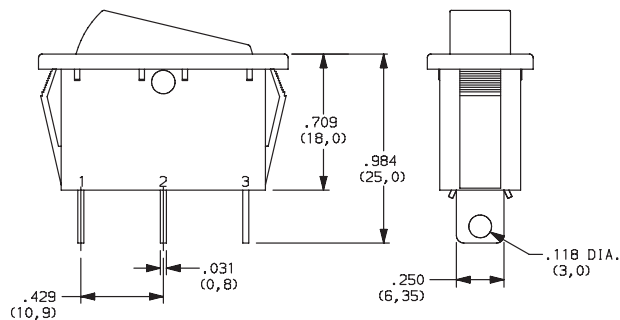
## TERMINATION

**05** .250 QUICK CONNECT

**07** SOLDER LUG



Shown in Pos. 1



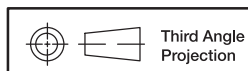
**NOTE:** Available with CM101 & CM102 switch functions only.

Rocker



H

**G&K**



Dimensions are shown: Inch (mm)  
Specifications and dimensions subject to change

# CM Series Single Pole Power Rocker Switches

## ACTUATOR MARKING



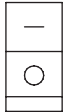
**NONE** NO MARKING



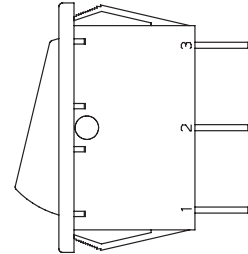
**D** ON-OFF



**H** 0 I



**P** 0 -



**NOTE:** Orientation of actuator marking and terminals.

Shown in Pos. 1

## CONTACT MATERIAL



OPTION CODE	CONTACT AND TERMINAL MATERIAL	RATINGS	
		<b>QA</b>	SILVER

\* Note: See Technical Data section of this catalog for RoHS compliant and compatible definitions and specifications.

## LAMP RATING



**(NONE)** NO LAMP

**7** 125 VAC 33kΩ NEON

**8** 250 VAC 150kΩ NEON

**NOTE:** Lamp rating for J3 & J8 actuator option.